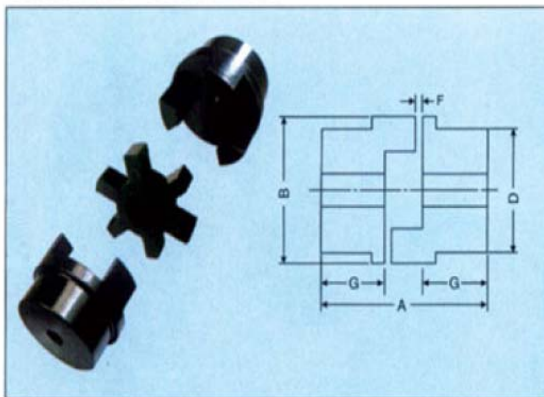


F&F Fenner Love Joy - Essex Jaw Coupling

STANDARD COUPLINGS



Size	Power per 100 rev/min kW	Bore in mm		Dimensions in mm				
		Min.	Max.	A	B	D	F	G
F - 095	0.21	15	28	63	54	49	2	25
F - 099	0.39	20	30	72	65	51	2	27
F - 0100	0.50	20	38	88	65	57	2	35
F - 0110	0.92	20	42	108	85	76	3	43
F - 0150	1.50	30	48	115	96	80	3	45
F - 0190	2.02	36	55	133	115	102	3	54
F - 0225	2.75	40	60	153	127	108	3	64

Dimensions are in MM, Weight mentioned is approx. value; All dimensions are subject to alteration without notice.

Other Types of F&F Fenner Love Joy - Essex Jaw Coupling

*Standard Spacer Couplings

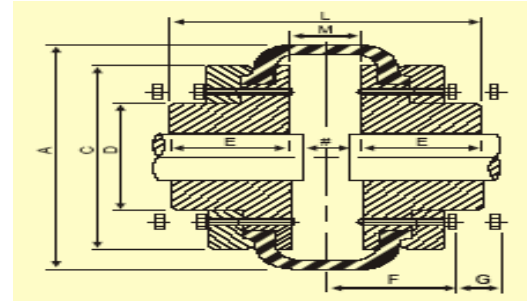
*External Spider Coupling

*External Spider Aluminium Spacer Coupling

*Cushion Coupling

*Cushion Spacer Coupling

F&F Fenner Tyre Coupling



DIMENSIONS "F&H" AND "B" TYPE COUPLINGS

Size	TYPE F & H								TYPE B						A	C	G	M	Screw per flange
	Bush No.	Max Bore	L	D	E	F	XJ	Approx Weight Kg	Max Bore	Min Bore	E	F	Set Screw on key	Approx Weight Kg					
F40	1008	25	67	-	22	33.5	29	1.4	30	11	22	33.5	M5	2	104	82	43	23	4
F45	1108	28	67	-	22	33.5	29	3	32	11	25	36.5	M5	2.2	120	94	43	23	4
F50	1210	32	78	79	25	39	38	3.1	38	16	32	46	M5	4	134	100	43	28	4
F60	1610	42	86	103	25	43	38	5.2	48	16	38	43	M6	5	165	125	43	36	5
F70	1610	42	92	76	25	50.5	38	7.4	55	19.05	45	50.5	M6	8	197	144	10	42	5
F80	2012	50	111	95	32	53	47	9.2	65	25.4	51	53	M10	12	211	167	10	47	6
F85	2012	50	112	103	32	53.5	47	12.5	70	31.75	53	53.5	M12	14	222	179	13	48	6
F90	2517	60	140	110	45	59.5	50	15	76	31.75	57	59.5	M12	15	235	188	13	50	6
F100	2517	60	148	124	45	61.5	50	20	85	31.75	60	61.5	M12	21	254	216	13	58	6
F110	2517	60	140	134	45	63.5	50	26.5	90	31.75	65	63.5	M12	28	279	233	14	50	6
F120	3020	75	157	152	51	70	68	35.5	102	38.1	76	70	M12	41	314	264	14	55	6
F140	3535	90	204	194.5	89	76	89	67.2	120	75	89	76	M20	61	359	313	14	26	8
F160	4040	100	220	216	102	78	110	91	140	75	102	78	M20	86	402	345	19	16	8
F180	4545	110	258	266	114	94	126	146	150	75	114	94	M20	141	470	398	19	30	10
F200	4545	110	278	266	114	103	126	182	150	75	114	103	M20	179	508	429	19	48	12
F220	5050	127	312	267	127	118	140	320	160	90	127	118	M20	312	562	474	20	56	12
F250	-	-	-	-	-	-	-	-	190	100	150	125	M20	500	628	532	25	60	12

Dimensions are in MM, Weight mentioned is approx. value
All dimensions are subject to alteration without notice.

Curved Tooth Gear Coupling



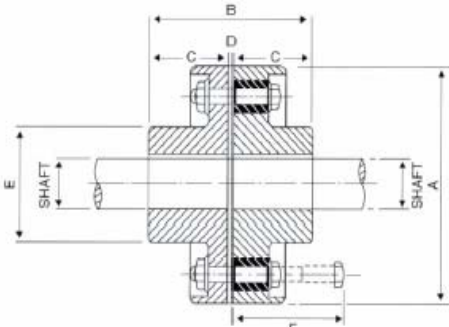
Coupling Size & Specification

Coupling Size	Max Torque Nm	Bore (MM)		Maximum Speed rev/min
		Min	Max	
NGC 1	1100	20	50	6700
NGC 2	2720	30	60	6100
NGC 3	4920	40	75	5200
NGC 4	9220	50	90	4500
NGC 5	14320	60	110	3950
NGC 6	21960	70	125	3500
NGC 7	37250	90	140	3250
NGC 8	49180	100	160	3000
NGC 9	61500	120	200	2600
NGC 10	88800	140	220	2300
NGC 11	120800	150	260	2100
NGC 12	152800	170	300	1900
NGC 13	275000	190	320	1550
NGC 14	380000	210	340	1400
NGC 15	455000	230	360	1350
NGC 16	650000	260	450	1150
NGC 17	800000	300	490	1050
NGC 18	1025000	320	540	950



PIN & BUSH "F&H" And "B" Type Coupling

Size	No. of Pins	Torque NM	Min. Bore (MM)	Max. Bore (MM)	Max Speed Rev/Mi	A	B	C	D	E	F
BC 1	3	77	12.7	28	6100	95	79	38	3	40	58
BC 2	4	310	12.7	30	5100	114	99	48	3	42	70
BC 2A	6	516	16	42	4400	130	105	51	3	60	70
BC 3	4	621	16	48	3600	160	107	51	5	68	114
BC 4	4	831	20	65	3000	191	125	60	5	90	114
BC 4A	6	1241	20	65	3000	191	125	60	5	90	114
BC 5	6	1662	25	75	2600	225	157	76	5	105	114
BC 6	8	2359	45	95	2300	254	183	89	5	135	114
BC 6A	10	2932	45	95	2300	254	183	89	5	135	114
BC 6B	12	3533	45	95	2300	254	183	89	5	135	114
NBC 7	12	4154	60	115	1950	290	235	115	5	170	114
NBC 7A	14	5195	60	120	1900	300	235	115	5	180	130
NBC 8	16	5816	65	130	1850	310	255	125	5	195	130
NBC 8A	18	7268	65	135	1650	340	265	130	5	200	130
NBC 8B	12	8729	70	140	1590	360	276	135	6	210	200
NBC 9	13	9932	80	150	1470	390	316	155	6	225	200
NBC 9A	15	13274	90	160	1400	410	336	165	6	240	200
NBC 10	16	14420	100	170	1300	440	366	180	6	255	200
NBC 10A	17	18050	110	180	1200	480	386	190	6	270	212
NBC 11	20	23780	120	190	1080	530	406	200	6	285	212



Dimensions are in MM, Weight mentioned is approx. value; All dimensions are subject to alteration without notice

HRC Type Coupling



Coupling Size & Specification

Size	Maximum Speed rev/min	Nominal Torque (Nm)	Max. Parallel Misalignment (mm)	Max axial Misalignment (mm)
HRC 70	8300	31.5	0.3	0.2
HRC 90	6740	80	0.3	0.5
HRC 110	5110	160	0.3	0.6
HRC 130	4400	315	0.4	0.8
HRC 150	3800	600	0.4	0.9
HRC 180	3180	950	0.4	1.1
HRC 230	2540	2000	0.5	1.3
HRC 280	2080	3150	0.5	1.7