

GEAR BOX (SMSR - Shaft Mounted Speed Reducer)

- * All Gear Boxes are manufactured by Fenner (I) Ltd.
- * Very precisely manufactured and fitted
- * Very Sturdy and for rough and tough application
- * If maintained properly then life expectancy is more than 7 years
- * Original spare parts available to keep gear box in new condition for many years
- * Warranty of 6 months on any manufacturing defect



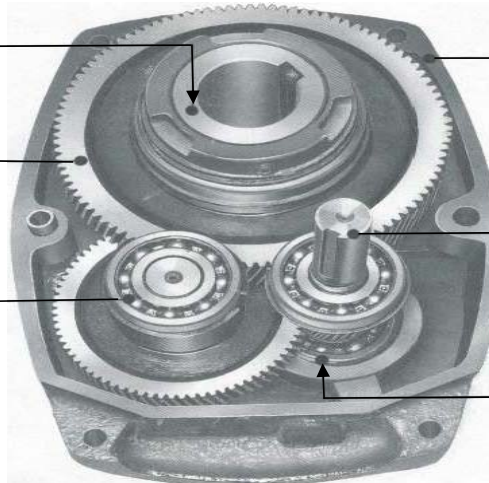
Gear Box Ratio Available		
05:01	13:01	20:01



Output hub
Metric and Imperial bored hubs and bushes available to suit international standard shaft diameters. The hubs are fitted with dual purpose fixing/extraction coils

Gears
Helical form alloy steels, gas carburised and hardened (profile ground on selected sizes) ensuring low noise emission. The hunting tooth principle adopted to ensure maximum working life.

Bearings and oil seals
Bearings are adequately proportioned and conform to ISO dimension plan, readily available world-wide. Oil seals are double lipped garter spring type, ensuring effective oil sealing.



Case design
Close grain cast iron construction, precision bored and dowelled to ensure accurate in-line assembly

Shafts
Machined from alloy steels and precision ground on journals, gear seatings and extensions. Tolerances and keyways conform to international standards.

Backslaps (Hold Back)
Are available on all 13 and 20:1 ratio units and available to special order on 5:1 units.

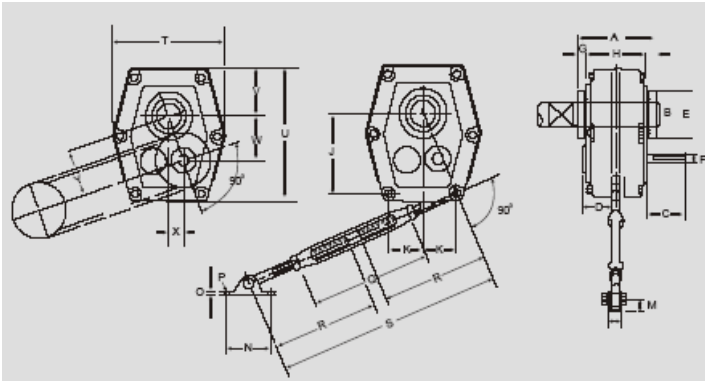


TABLE 1 (B - Bore Size)

Gear Box Sizes	Standard Hub Bore (MM)	Alternative Hub Bore (MM)
B	30	40
C	40	50
D	50	55
E	55	65
F	65	75
G	75	85
H	85	100
J	100	120

SIZES	Approx. Weight Kg.	Ratio 5	Ratio 13 & 20	A	B	C	D	E	F	Input Shaft Keyway	G	H	J	K	L	M	N	O	P	Q	R	S		T	U	V	W	X	Y
																						Min	Max						
B	15	16	134	63	59	80	19j6	6x3.5x50	15	104	131	55	24	20	65	5	10	200	300	600	750	186	226	81	75	25	79		
C	21	22	142	72	65	90	22j6	6x3.5x56	17	108	156	59	24	20	65	5	10	200	300	600	750	218	270	96	90	31	95		
D	30	32	152	77	68	100	25j6	8x4x63	17	118	188	76	28	24	75	5	12	216	350	700	850	258	328	117	110	37	116		
E	41	46	170	85	76	115	28j6	8x4x70	20	130	222	90	28	24	75	5	12	216	350	700	850	278	377	129	125	43	133		
F	53	58	189	90	87	130	32k6	10x5x70	20	149	242	98	34	30	100	6	16	216	375	750	900	317	414	143	141	50	150		
G	82	92	212	105	110	145	42k6	12x5x90	20	172	277	110	34	30	100	6	16	216	375	750	900	365	468	162	156	56	166		
H	133	144	242	116	115	170	48k6	14x5.5x100	26	190	330	88	70	50	121	17.5	16	222	375	750	900	434	550	195	189	62	200		
J	194	208	257	135	119	200	55m6	16x6x110	30	197	424	102	70	50	121	17.5	16	222	375	750	900	542	700	254	255	75	266		

For original spare parts of F&F Fenner (I) Gear Box please send enquiry at enquiry@tiscollc.com